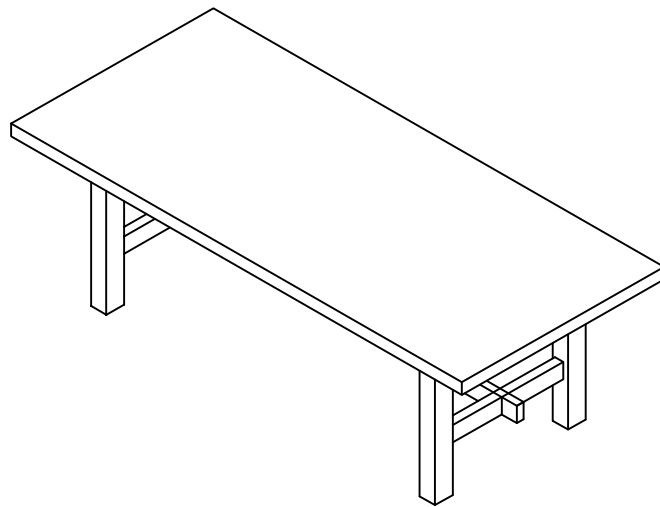


MOE'S
home collection

ASSEMBLY INSTRUCTIONS.

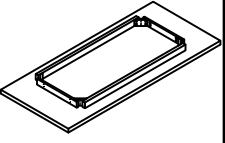
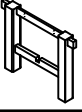






MIKOSHI DINING TABLE SMALL VINTAGE BROWN

EW-1025-03-0



THANK YOU FOR YOUR PURCHASE!

PARTS AND HARDWARE

NO.	DESCRIPTION	IMAGE	QTY
A	Table TOP		1
B	Wood leg		2
C	Wood Rail		1
D	Bolts (M8*55mm)		10
E	Bolts (M8*40mm)		8
F	Washer (Ø8*Ø19*2mm)		18
G	Spring washer		18
H	Allen key(M5)		1

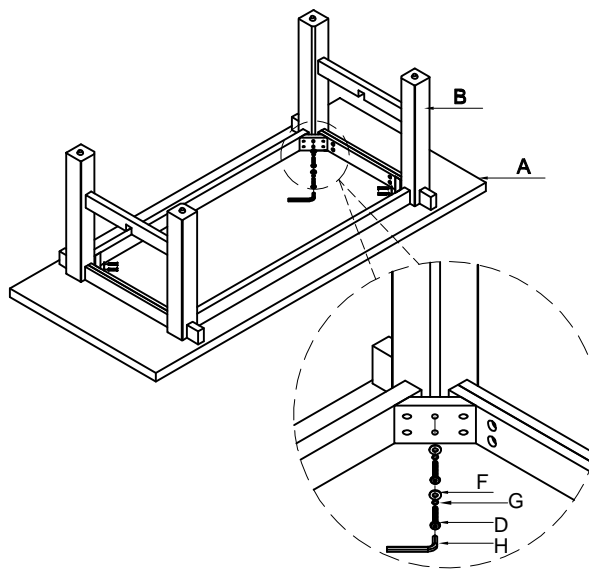
NOTES.

Thank you for purchasing this quality product! Be sure to check all packing material carefully for small part that may have come loose inside the carton during shipping.

Caution: The item is heavy, assembly should be performed by two people.

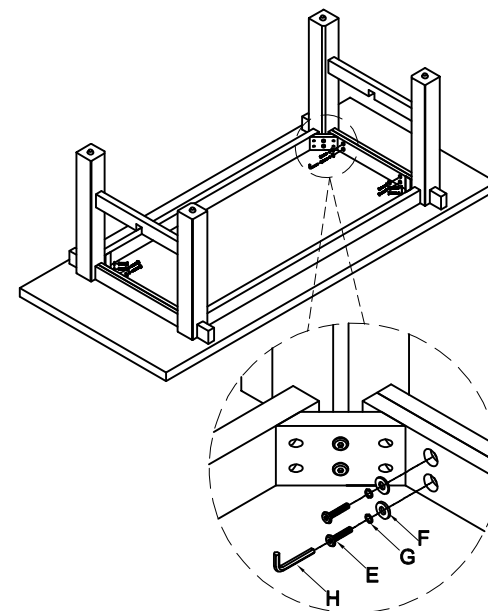
STEP 1.

Assembling legs with allen key (H), bolts (D) washer (F),spring washer (G) tightly.



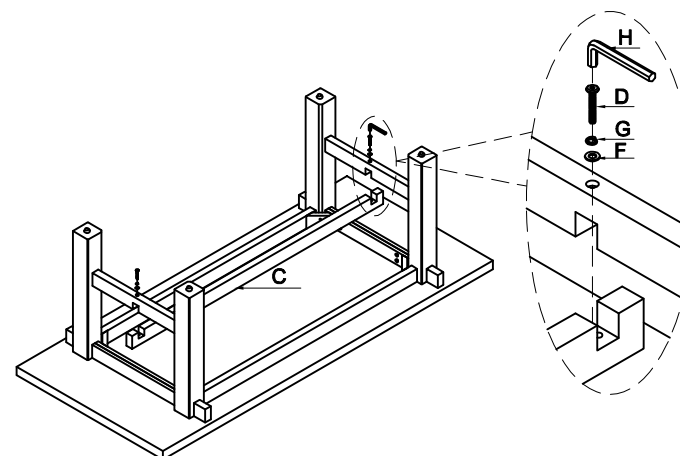
STEP 2.

Assembling legs with allen key (H), bolts (E) washer (F),spring washer (G) tightly.



STEP 3.

Assembling Wood Rail (C)with allen key (G), bolts (D) washer (F),spring washer (G) tightly.



STEP 4.

Assembly finished .

